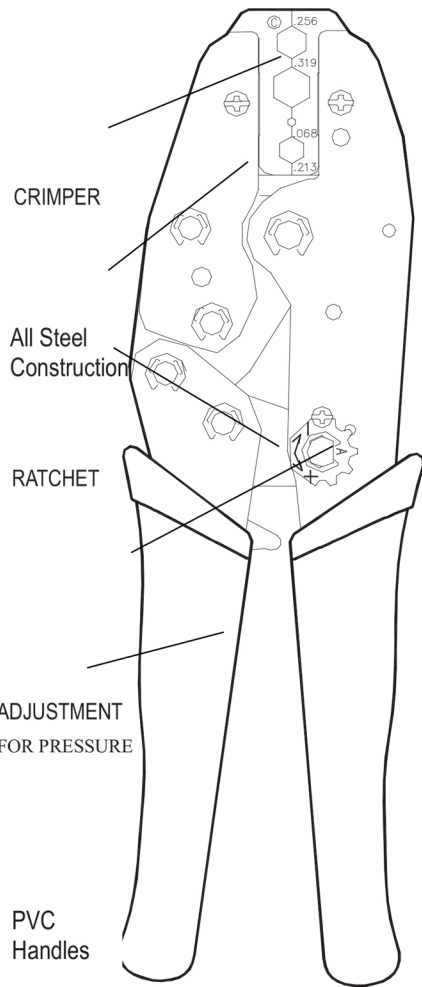




● Item No:



DL-	Hex	Hex	Hex	Hex	Hex	SO. PIN	FOR CRIMPING RG TYPE CABLE
801A	.256	.213				.068	58,59,62,140 BELDEN 8279
801AC	.324	.255	.213			.100	58,59,62,6,140 BELDEN 8279
801B	.319	.213	.187				58,6,174,140 FIBER OPTIC
801C	.319	.256	.213			.068	58,59,62,6 BELDEN 8279
801C2	.360	.324	.262			.068	CATV "F" Connectors RG59,6
801D	.326	.138					6,174
801D2	.429	.256	.213			.068	8,9,11,58,59,62
801F	.350	.320	.255				CATV F CONN. RG59,6
801F2		.213	.178	.151	.068	.042	58,174,FIBER OPTIC,SMA,SMB
801F5	.213	.178	.128	.068	.042	.028	58,174,SMA,SMB
801G	.255	.213	.157	.100	.068	.045	58,59,62,140,174 FIBER OPTIC
801I	.311	.255	.213	.093	.068		58,59,6,62,174
801J	.178	.151	.128	.078	.068	.042	174,178,179 FIBER OPTIC
801K	.429		.128	.100	.075		8,9,11,174,316,BELDEN9913
801L	.385	.320	.250	.211			NCONN.6,58,59
801M	.255	.213	.178	.068	.065		58,59,174
801T	.151	.128	.100	.047	.039	.028	174,SMA,SMB,FIBER OPTIC
801V	.187	.178	.151	.128	.068	.042	58,174,SMA,SMB
801V1	.324	.256	.217	.178	.068	.047	58,59,6,174
230A	.255	.213	.187		.068		58,59,62,142,174,223
830B	.324	.255			.068		59,62,6 BELDEN 8281
830D	.213	.187	.151	.128			58,174,FIBER OPTIC

DL-	AWG			mm ² (DIN)			
301	22-18	16-14	12-10	0.5-1.0	1.5-2.5	4.0-6.0	INSULATED TERMINAL
301H	22-18	16-14	12-10	0.5-1.0	1.5-2.5	4.0-6.0	INSULATED TERMINAL
301E	22-20	18-16	14-12	0.5-0.75	1.0-1.5	2.5-4.0	CORD END PIN TERMINAL
301S	10	8	6	6	10	16	CORD END PIN TERMINAL
230C	20-18	16-14	12-10	0.5-1.0	1.5-2.5	4.0-6.0	INTER-LOCKING CONNECTOR
530B	22-14	12-10	8-6	0.5-2.5	4.0-6.0	10-16	CORD END PIN TERMINAL
530N	18-16	14-12	10-8	1.5-2.5	4.0-6.0	6.0-10	NON-INSULATED TERMINAL
530S	6	4	2	16	25	35	CORD END PIN TERMINAL

* Length: 8.7" (220+/-3mm)

● Material: 3.0mm Middle Carbon Steel

Crimper-Made Of Off Wax

* Hardness: HRC 42-48

* Finished: Black oxide finished.



an INFINIT® brand

www.showmecables.com

888-519-9505 | sales@showmecables.com

Title

Ratchet Crimper Tool for RG8, RG11, RG213, LMR-400, and Belden 9913

Part Number

93-100-004

Notes

1. Unless otherwise specified all dimensions are nominal
2. All specifications are subject to change without notice at any time
3. Dimensions are in millimeters